

SHELVING ACCESSORIES

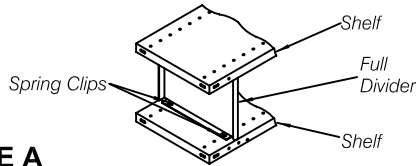


FIGURE A

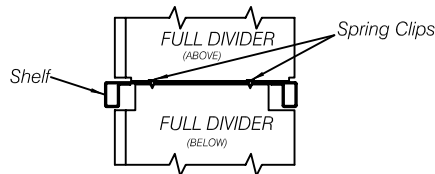


FIGURE B

1. Full Dividers

Any shelf opening may be divided into two or more bins by the installation of full dividers. To install dividers, place them in position between the shelves where required and align slots in flanges of the dividers with holes in shelves. Attach dividers to shelves with spring clips (see Figure A).

Where dividers are above and below a shelf and in alignment, use common spring clips to attach the two dividers (see Figure B).

Dividers may also be bolted to shelves by customer but only spring clips are furnished as hardware.

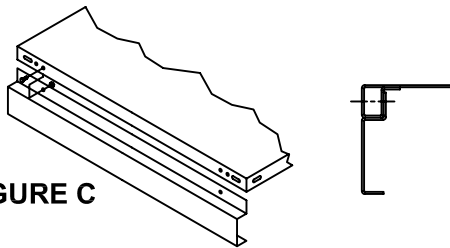


FIGURE C

2. Base Strips

Bolt base strip to bottom shelf (see Figure D).

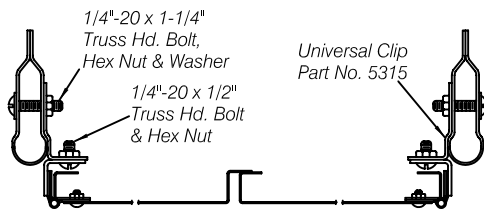


FIGURE D

3. Swinging Door Assembly

Step 1: Remove three items from carton. Door and frame assembly, lock bars and hardware kit.

Step 2: Read all information on assembly instruction and familiarize yourself with all component names.

Step 3: Bolt universal clips to post with 1/4-20 x 1-1/4" truss head bolts and hex nuts. Use four universal clips on 36" and 48" door and frame, and use six universal clips on 73" and 85" door and frame. Bolt door and frame to universal clips with two 1/4-20 x 1/2" truss head bolts and hex nuts.

Step 4: Assemble handle and other locking mechanism to door per handle instructions. Keep door handle on RH door.

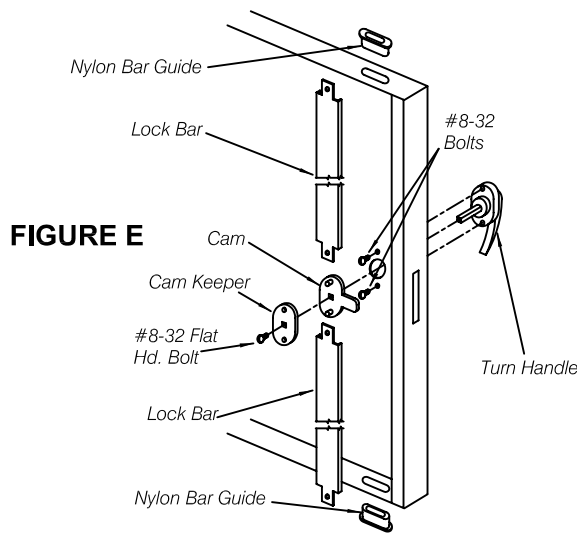


FIGURE E

Handle Assembly for Swinging Door

Step 1: Attach handle to the right hand door with the two screws #8-32 bolts.

Step 2: Install the nylon bar guides in top and bottom door slots.

Step 3: With right hand door laying down, place lock cam thru slot in door and over handle with pins out. Insert lock rods into lock rod guides and position holes in lock rods on pins of lock cam. Secure in place with cam keeper using #8-32 flat head screw.