

# HALLOWELL GUARDRAIL INSTALLATION DETAILS

## General Instructions

1. Check material received against the packing list. Check the number of packages received and then check the contents of each package.
2. Check the material received for damage. If damage has occurred, secure a “damage notation” from the carrier
3. Identify each part as it is unpacked and put like parts together as close as possible to the working area where they are to be assembled.
4. Be careful to use the correct hardware as specified in the assembly instructions.

## CAUTION

In the interest of safety, all lockers must be securely anchored to the floor and/or wall. For safety, handle all components carefully and wear work gloves when assembling lockers. Install all units plumb and tighten all hardware securely. Retain instructions for future reference.



866-566-0500  
info@Hallowell-List.com  
www.Hallowell-List.com



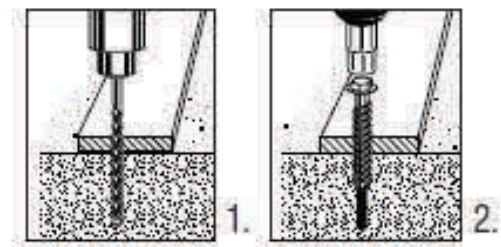
## GUARDRAIL FLOOR ANCHORING INSTRUCTIONS

### Hardware Needed:

- 5/8" X 4" Self Threading Anchor for Concrete (included)
- 17mm SDS drill bit (sold separately - available from Hallowell)
- Wrench or Impact Wrench

### Installation Steps for Concrete, Lightweight Concrete and Metal Deck:

1. Using the 17mm drill bit, drill a hole at least 1" deeper than anchor embedment.
2. Using an impact wrench or manual socket wrench, insert anchor into hole and tighten anchor until fully seated. If installation torque exceeds 50 ft. lbs. using an impact wrench, remove anchor from hole. Reinstall with a new anchor using a manual socket wrench.



### Caution:

Observe torque values particularly when installing anchor in higher compressive strength concrete with an impact wrench. Over-torquing may result in lower tension and/or shear performance of the anchor.

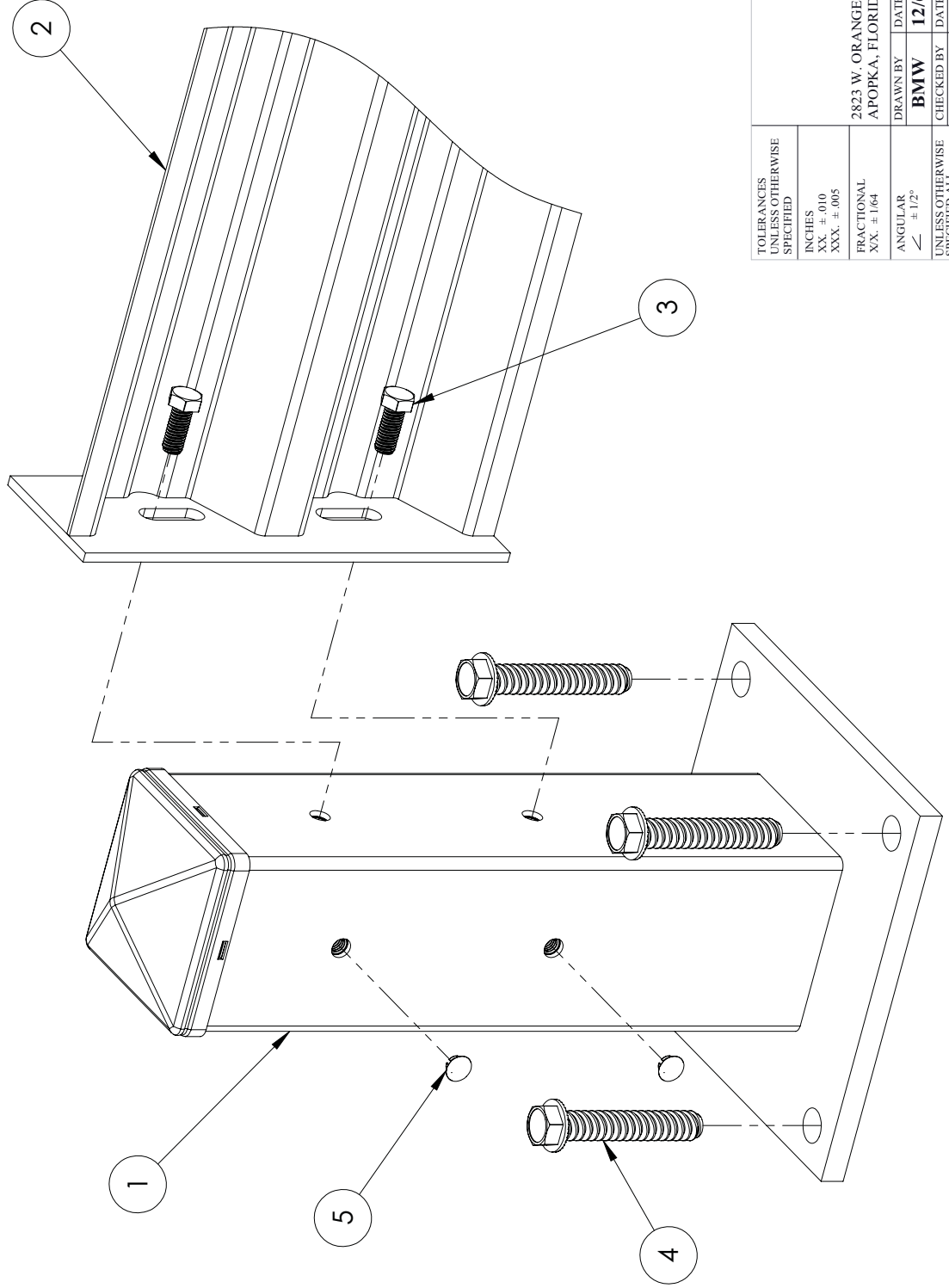
Use of core drills is not recommended to drill holes with this anchor.

Not recommended with use in new concrete which has not had sufficient time to cure.

Carbide drill bits are recommended for the installation of this anchor.

NOTES:  
1) USE PHC100 AT ALL UNUSED LOCATIONS

ITEM NO.	PART NUMBER	DESCRIPTION	QTY.
1	CS-1	18IN STANDARD COLUMN	1
2	GR-xx	GUARD RAIL SECTION	1
3	CS103	1/2-13 X 1-1/4 GRADE 5 HEX CAP SCREW	4
4	LDT100	5/8 X 4 LDT SELF THREADING ANCHOR	4
5	PHC100	PLASTIC HOLE COVER	6



TOLERANCES  
UNLESS OTHERWISE  
SPECIFIED

INCHES  
XX. ± .010  
XXX. ± .005

FRACTIONAL  
XX. ± 1/64

ANGULAR  
∠ ± 1/2°

UNLESS OTHERWISE  
SPECIFIED ALL  
DIMENSIONS ARE IN  
INCHES UNLESS  
OTHERWISE NOTED  
DIMENSIONS WILL BE  
WITHIN [XX]



www.Hallowell-List.com

Tel (866) 566-0500  
Fax (407) 464-3610

2823 W. ORANGE AVE.  
APOPKA, FLORIDA 32703

DRAWN BY: **BMW** DATE: **12/6/2012**

CHECKED BY: DATE:

APPROVED BY: DATE:

DESCRIPTION

**CS-1 CONNECTION  
DETAIL**

PART NO.

SCALE

SHEET

1 of 1

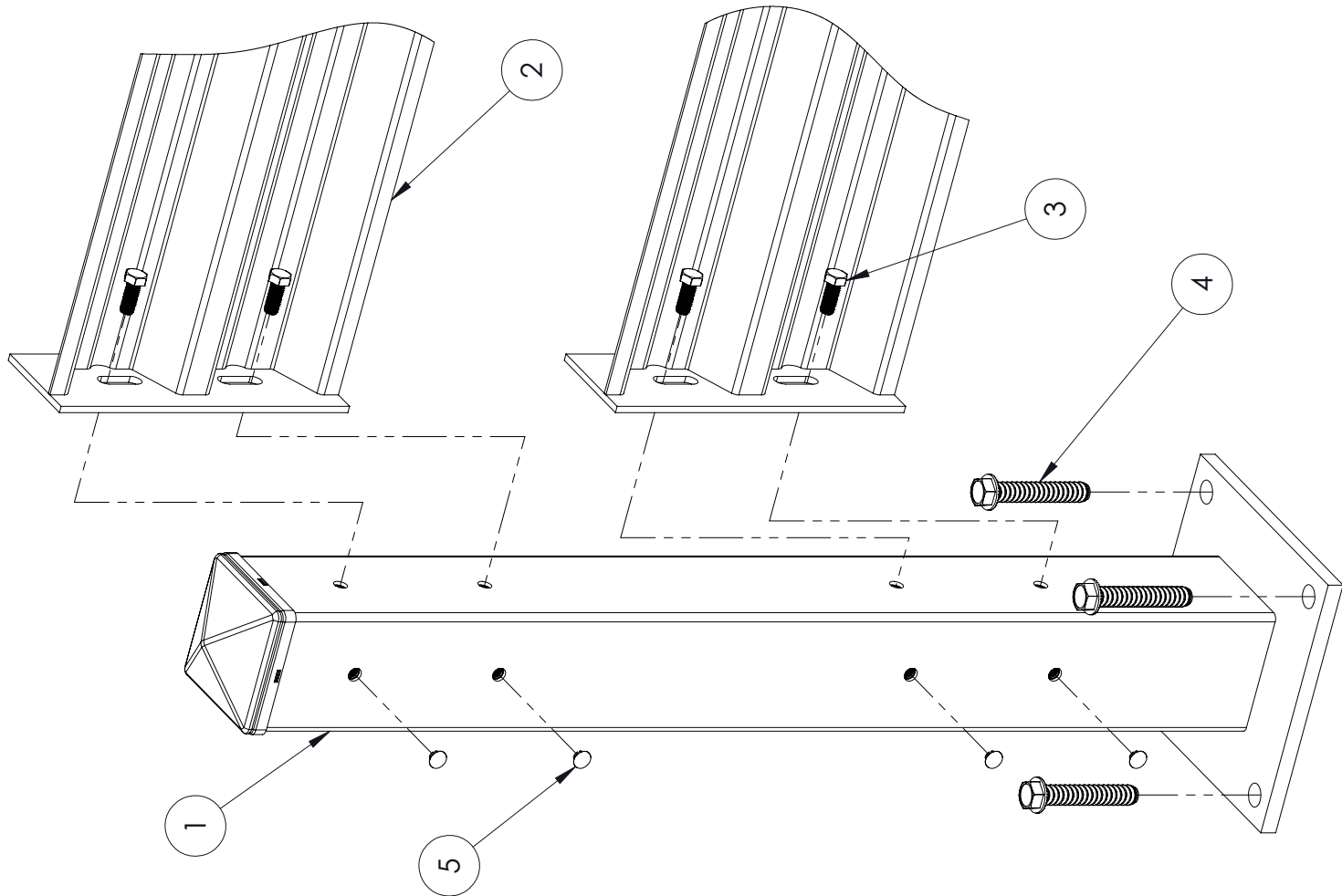
DRAWING NO.

SA-1559

THIS DRAWING AND THE INFORMATION ON IT IS THE CONFIDENTIAL PROPERTY OF HALLOWELL, AND SHALL NOT BE COPIED OR DISCLOSED TO OTHERS WITHOUT WRITTEN PERMISSION. ONLY HALLOWELL RESERVES THE RIGHT TO ALTER ANY DESIGN. ANY UNAUTHORIZED MODIFICATIONS RELEASES HALLOWELL FROM ALL LIABILITIES.

ITEM NO.	PART NUMBER	DESCRIPTION	QTY.
1	CS-2	42IN STANDARD COLUMN	1
2	GR-xx	GUARD RAIL SECTION	2
3	CS103	1/2-13 X 1-1/4 GRADE 5 HEX CAP SCREW	8
4	LDT100	5/8 X 4 LDT SELF THREADING ANCHOR	4
5	PHC100	PLASTIC HOLE COVER	12

NOTES:  
1) USE PHC100 AT ALL UNUSED LOCATIONS



TOLERANCES  
UNLESS OTHERWISE  
SPECIFIED

INCHES  
XX. ± .010  
XXX. ± .005

FRACTIONAL  
XX. ± 1/64

ANGULAR  
∠ ± 1/2°

UNLESS OTHERWISE  
SPECIFIED ALL  
DIMENSIONS ARE IN  
INCHES UNLESS  
OTHERWISE NOTED  
DIMENSIONS WILL BE  
WITHIN [XX]

**Hallowell**  
www.Hallowell-List.com  
Tel (866) 566-0500  
Fax (407) 464-3610

2823 W. ORANGE AVE.  
APOPKA, FLORIDA 32703

DRAWN BY	DATE	DESCRIPTION
BMW	12/10/2012	CS-2 CONNECTION DETAIL
CHECKED BY	DATE	
APPROVED BY	DATE	

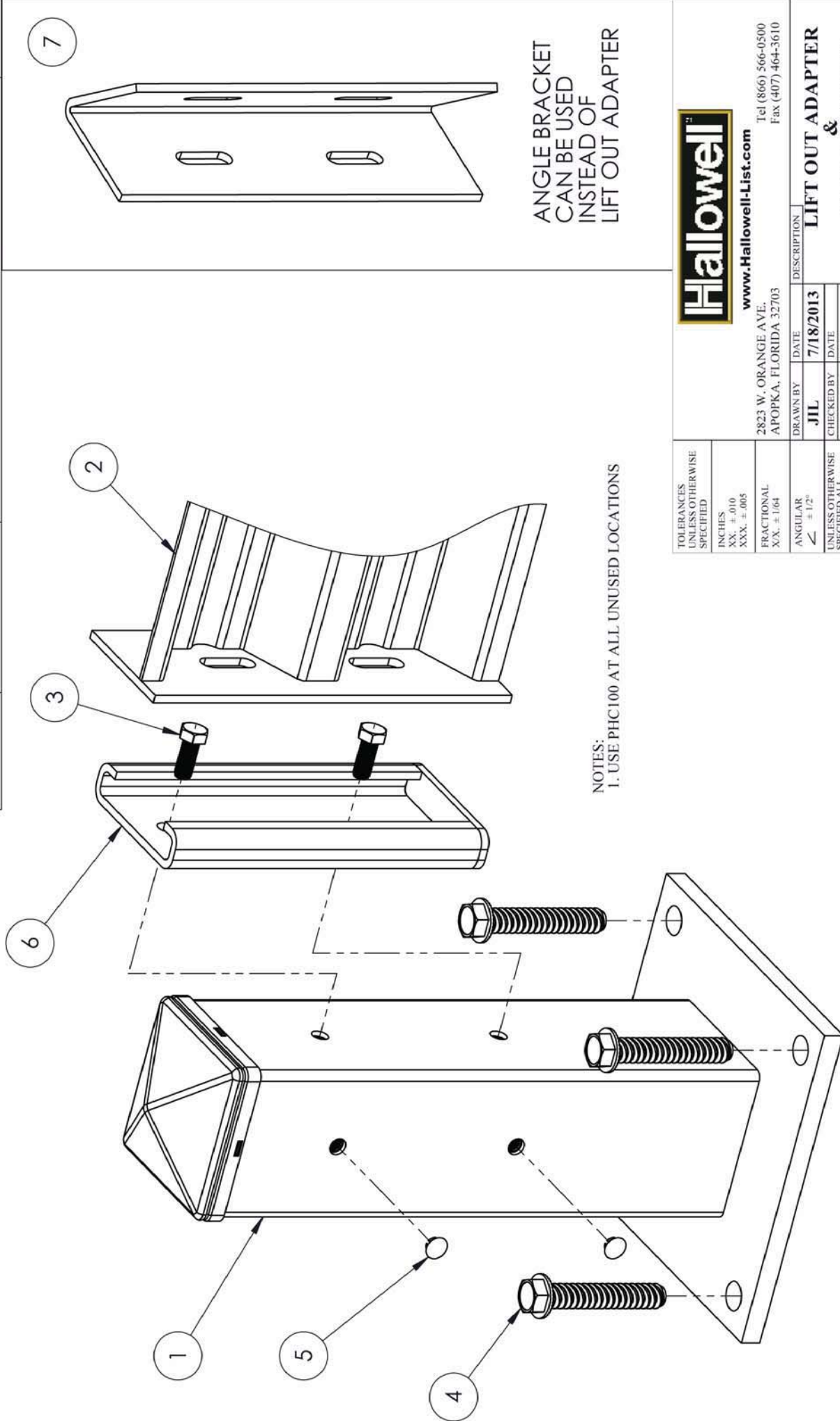
SCALE | SHEET | PART NO. | DRAWING NO. | REV.

: 1 of 1 : SA-1560

THIS DRAWING AND THE INFORMATION ON IT IS THE CONFIDENTIAL PROPERTY OF HALLOWELL, AND SHALL NOT BE COPIED OR DISCLOSED TO OTHERS WITHOUT WRITTEN PERMISSION. ONLY HALLOWELL RESERVES THE RIGHT TO ALTER ANY DESIGN. ANY UNAUTHORIZED MODIFICATIONS RELEASES HALLOWELL FROM ALL LIABILITIES.

# OPTIONAL COMPONENTS

ITEM NO.	PART NUMBER	DESCRIPTION	QTY.
1	CS-1	18IN STANDARD COLUMN	1
2	GR-xx	GUARD RAIL SECTION	1
3	CS103	1/2 X 1-1/4 GRADE 5 EX CAP SCREW	4
4	LDT100	5/8 X 4 LDT SELF THREADING ANCHOR	4
5	PHC100	PLASTIC HOLE COVER	6
6	LOA	LIFT OUT ADAPTER	1
7	45-BRACKET	ANGLE BRACKET	--



NOTES:  
1. USE PHC100 AT ALL UNUSED LOCATIONS

ANGLE BRACKET  
CAN BE USED  
INSTEAD OF  
LIFT OUT ADAPTER



**www.Hallowell-List.com**  
Tel (866) 566-0500  
Fax (407) 464-3610

2823 W. ORANGE AVE.  
APOPKA, FLORIDA 32703

TOLERANCES UNLESS OTHERWISE SPECIFIED	INCHES XX. ± .010 XXX. ± .005	FRACTIONAL XX. ± 1/64	ANGULAR ∠ = 1/2°	UNLESS OTHERWISE SPECIFIED ALL DIMENSIONS ARE IN INCHES. METRIC DIMENSIONS WILL BE WITHIN [XX]
DRAWN BY	DATE	DESCRIPTION	PART NO.	REV.
JIL	7/18/2013	LIFT OUT ADAPTER & ANGLE BRACKET	SA1642	1 OF 1
CHECKED BY	DATE	SCALE	SHEET	DRAWING NO.
APPROVED BY	DATE			

THIS DRAWING AND THE INFORMATION ON IT IS THE CONFIDENTIAL PROPERTY OF HALLOWELL, AND SHALL NOT BE COPIED OR DISCLOSED TO OTHERS WITHOUT WRITTEN PERMISSION. ONLY HALLOWELL RESERVES THE RIGHT TO ALTER ANY DESIGN. ANY UNAUTHORIZED MODIFICATIONS RELEASES HALLOWELL FROM ALL LIABILITIES.